

VL1100 LED

Date: _____
Type: _____
Firm: _____
Name: _____
Project: _____

The new VL1100 LED delivers high quality light and consistent color reproduction, the lighting designer's first true alternative to traditional tungsten source in a moving head fixture. A perfect 'tungsten' color shift and an innovative hybrid cooling system smoothly optimize the balance between light output and noise.



- Exclusive low-energy LED engine.
- High CRI light output.
- Color reproduction consistent with existing VL1100.
- Tungsten red shift emulation during dimming.
- Hybrid liquid / forced air cooling system.
- User definable control of output/noise ratio.
- 4-blade framing system.

- CMY color mixing system.
- Color Enhancement channel.
- Continuously variable zoom range 19°-36°: super zoom angles to 70°.
- Variable fan control channel.

For detailed product information, please refer to www.vari-lite.com/global/products/vl1100-LED



VARI***LITE**

Specifications

Due to continuous improvements and innovations, specifications may change without notice.

Source

LED	Bichromatic Light Engine
Source Max Power Consumption	445 W
Source CCT	Variable, 3200 K to 7200 K
Dimming	Electronic 8-bit / 16-bit
Dimmer Curves	Square Law (Default), Linear, S-Curve
Tungsten Fade	Selectable on/off
Strobe	Electronic
Strobe Modes	Continuous, Random, Random Sync

Optical Performance

Zoom Range	19 - 36°, 70° (super zoom mode)
Zoom Control	Motorized 8-Bit
Output Lumens	Standard - 11300
Default Output Color Temperature	3200 K
CRI RA	> 91
Focus	Motorized 8-Bit Control

Color System

Subtractive Color Mixing	CMY Glass Wheels
Color Mixing Control	CMY 8-bit
Additional Color Mixing	Digital color enhancement channel

Imaging

Beam Softening	Variable Radial Frost Wheel
Framing Shutters	4 Blade - Two Plane +/-90° rotation

Electrical

Output Power Consumption	650 W
Power Connection	Powercon Input - Thru Power cable not included - input connector only
Input Voltage	100-240 VAC, 50 / 60 Hz

Data

Supported Protocols	DMX512-A (RDM) 5 - Pin XLR Input and Thru
DMX Modes	
16-Bit Enhanced	29 / (21-iris) Channels
Classic	27 (19-iris) Channels

Noise Level / Fan Control (Base Level 24 dB)

Standard Mode	35.5 dB
Cooling System Type	Liquid Flow Cooling/Forced Air

Movement

Pan Angle	540°
Tilt Angle	270°

Mounting

Through Base holder	2 x M10 / 1/2" bolt holes
Hanging Centers	635 mm (25.0 in)
Fixture mounting/Hanging orientation	Hanging - Floor
Secondary Safety Wire Point	1 x Safety point located on underside of upper enclosure Safety Wire not included

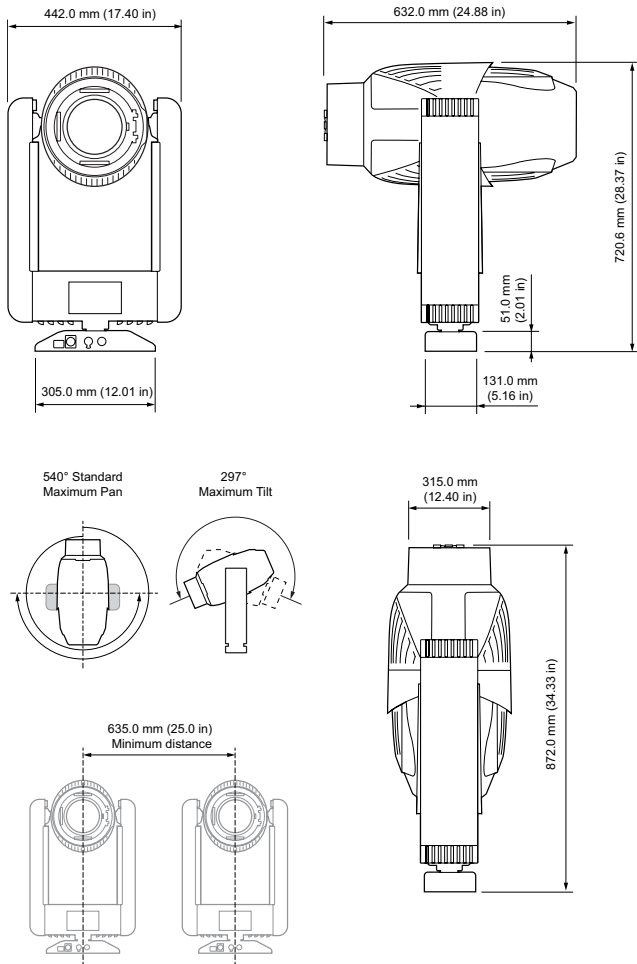
Certification and Safety

Approbations	CE, ETL, UL, FCC CSA, RoHS, ISO 9001
IP Rating	IP20

Photometrics and IES Files

For IES files and photometric reports, please refer to the product page: www.vari-lite.com/global/products/vl1100-LED

Dimensions



Physical

Construction	Metal frame, Plastic covers
Standard Finish	Black
Dimensions	872 x 442 x 632 mm (34.0 x 17.0 x 25.0 in)
Fixture Weight	35.0 kg (76.0 lb)
Operating Temperature	0-50°C (32-122°F)

Gobo and Effect Wheels

Gobo Wheel 1 (Not Included)	5 + Open Interchangeable
Material	Glass
Diameter / Thickness	37.5 mm x 1.1 mm
Image Size	28.5 mm

Luminaire and Accessories

Product type**Order Code**

VL1100 LED

20.1602.0001.01

VL1100 PROFILE , 445w Bichromatic Light Engine 2700 - 3200k - Framing, c/w Power input connector (VL1100 luminaires do not include Gobos which must be purchased separately), Black

Accessories

VL1000 / 1100 Gobo carrier

10.9663.1244

VL1000 Series Gobo carrier

The logo for Vari-Lite, featuring the word "VARI" in a bold, sans-serif font, followed by a stylized asterisk symbol, and the word "LITE" in a similar bold, sans-serif font.